



RADIATION-TOLERANT CAMERA

Hyperion™ Compact

Gen II Camera



FEATURES

- Digital performance, high radiation tolerance
- Low cost of ownership, driven by low maintenance and long life
- 100 Mrad/1 MGy total dose (gamma)
- High performance solid-state 1x megapixel sensor
- System-on-Chip flexibility
- Superior picture geometry
- In air or underwater operation
- Color or Monochrome options
- Pan/Tilt-free version available

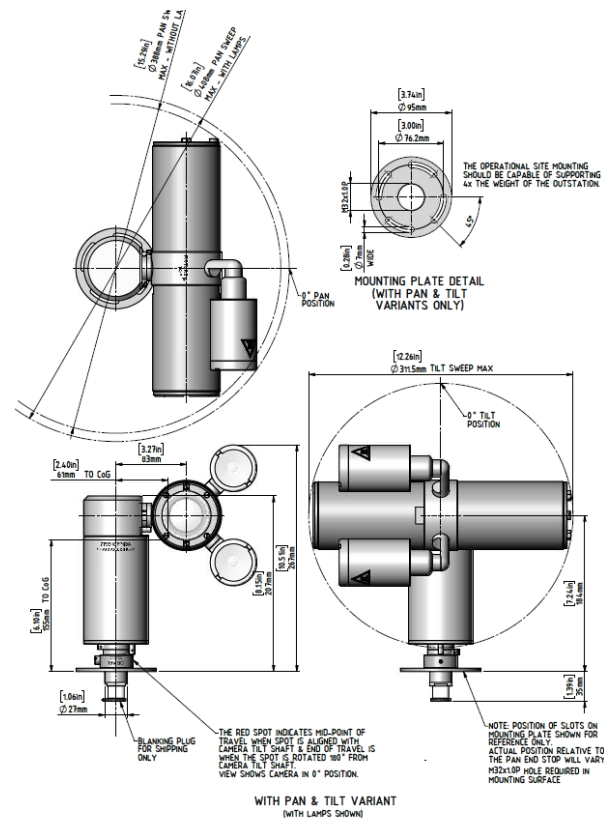
DESCRIPTION

The Hyperion Compact Gen II Camera follows many years of extensive Research and Development and considerable investment in new technologies. Featuring all new Radiation Tolerant zoom lens and optics with integrated pan and tilt, this new version offers all the benefits of the earlier generation Hyperion camera but in a lighter and more compact outstation. The Hyperion camera has been independently tested to 1 MGy with Cobalt-60 sources.

In addition, Mirion is pleased to offer both monochrome and color variants without a pan/tilt unit for even greater deployment flexibility on Servo-Manipulators, custom deployment mechanisms, and tooling applications.

SPECIFICATIONS AND PERFORMANCE

Radiation tolerance	1 MGy (100 M Rad) TID, Cobalt-60
Radiation dose rate	1KGy/hour (100 krads/hour)
Resolution	Digital mode: 960 x 540 pixels CCIR mode: 768 x 576 pixels RS170A mode: 640 x 480 pixels
Video output	PAL/NTSC analogue out 960 x 540/800 x 600/720 x 480 JPG out via Ethernet Color or Monochrome (specified at time of order)
Housing	300 Series Stainless steel
Sealing	IP68 (60m water)
Pan and tilt range	+/- 158 degrees
Pan and tilt speed (max)	>= 9 degrees/second (Pan) >= 7 degrees/second (Tilt)
Iris	Motorized manual/auto
Focus	Manual (1.5m to infinity)
Operating Temperature	0-62.5°C (without lights) 0-55°C (with lights) 5% - 95% RH (non-condensing) 0.9-1.1 ATM (air)
Zoom	Non-browning clear glass 17.5-105 mm Motorized manual
Zoom Range	6x optical
Angle of view (in air)	NTSC Wide – 28.2° horizontal, 21.2° vertical NTSC Narrow – 4.6° horizontal, 3.5° vertical PAL Wide – 33.6° horizontal, 25.5° vertical PAL Narrow – 5.6° horizontal, 4.2° vertical Digital (960 x 540) Wide – 39.7° horizontal, 22.2° vertical Digital (960 x 540) Narrow – 6.9° horizontal, 3.9° vertical
Weight	7.5Kg (Pan/Tilt with Lights) 3.5Kg (Fixed Camera without Lights)
Cable	Compatible with existing radiation tolerant cables used with Mirion R981
Maximum cable length	100 m with R980CAB006 300 m with R980CAB013
Camera Control Unit	Multi-camera sub-rack available for interfacing into RS-485 or IP-based control system



PART NUMBERS

	WITH PAN & TILT	FIXED
NO LAMPS	RD981CPA03A (MONOCHROME) RDC981CPA03A (COLOR)	RD981CFA03A (MONOCHROME) RDC981CFA03A (COLOR)
LAMPS	RD981CPB03A (MONOCHROME) RDC981CPB03A (COLOR)	RD981CFB03A (MONOCHROME) RDC981CFB03A (COLOR)

SPC-199 – 12/2021

Copyright © 2021 Mirion Technologies, Inc. or its affiliates. All rights reserved. Mirion, the Mirion logo, and other trade names of Mirion products listed herein are registered trademarks or trademarks of Mirion Technologies, Inc. or its affiliates in the United States and other countries. Third party trademarks mentioned are the property of their respective owners.

Specifications may vary according to system configuration. We reserve the right to modify or amend the information herein without prior warning. Please contact your Mirion representative for further information.

Mirion Technologies (IST) Ltd and Mirion Technologies (Imaging), LLC are ISO 9001:2015 certified companies (certificates available on request or at www.mirion.com).

Please note that the products and accessories described in this data sheet may be subject to UK export control or US re-export control. Please check with your authorized representative when enquiring about this product.

