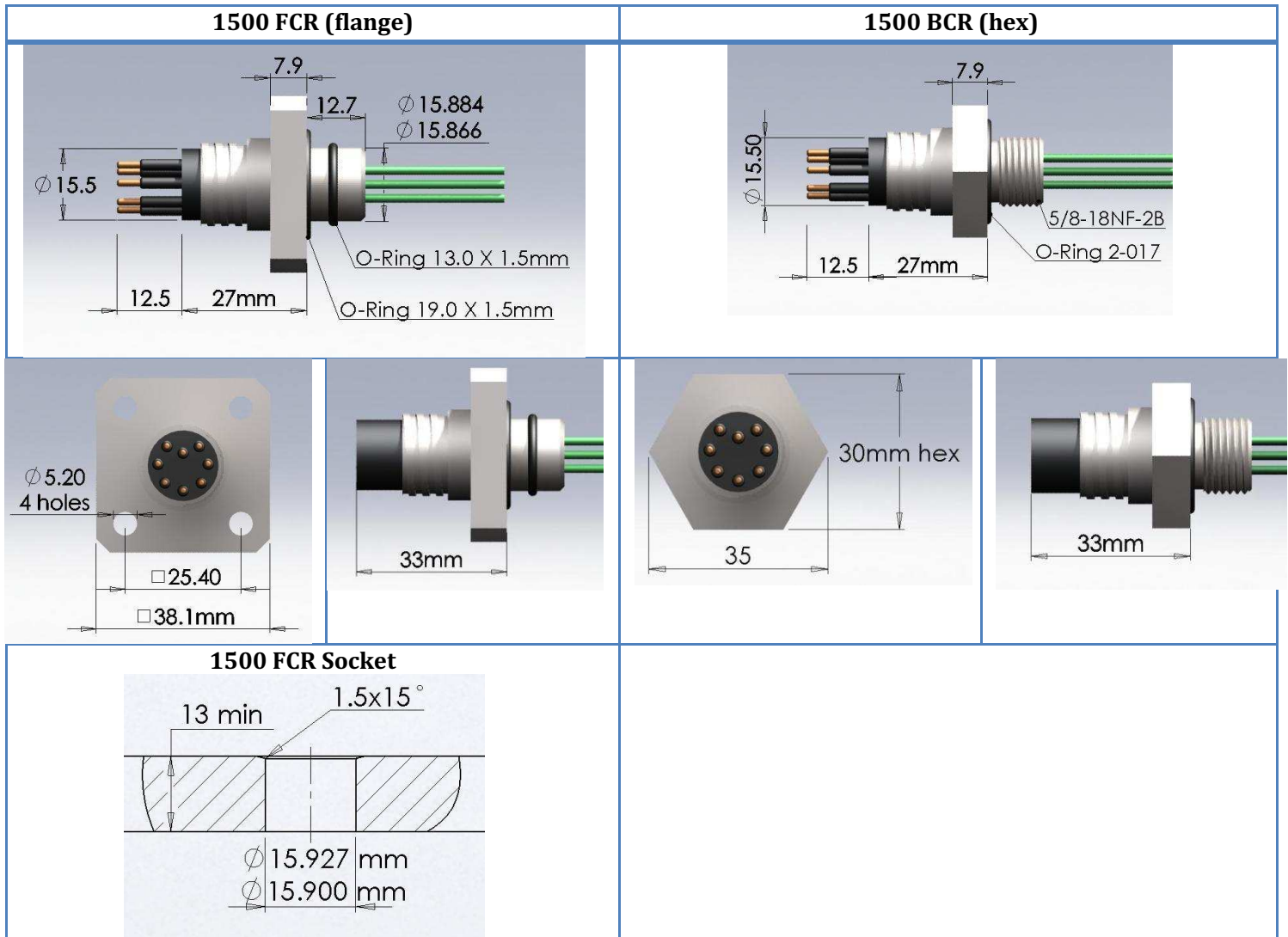


METAL SHELL (MS)

METAL SHELL 1500 SERIES



METAL SHELL 1500 SERIES Data Table

Number of contacts	2	3	4	5	6	8
Ordering number FCR Female	FCR1502F	FCR1503F	FCR1504F	FCR1505F	FCR1506F	FCR1508F
Ordering number FCR Male	FCR1502M	FCR1503M	FCR1504M	FCR1505M	FCR1506M	FCR1508M
Ordering number BCR Female	BCR1502F	BCR1503F	BCR1504F	BCR1505F	BCR1506F	BCR1508F
Ordering number BCR Male	BCR1502M	BCR1503M	BCR1504M	BCR1505M	BCR1506M	BCR1508M
Locking Sleeve Type:	FLS-MC	FLS-MC	FLS-MC	FLS-MC	FLS-MC	FLS-MC
Note:	Compatible with MC series 2-8					

Contact Information

BIRNS *Aquamate*™ LLC

558 Mineral Spring Ave, Unit BF-112, Pawtucket, RI 02860

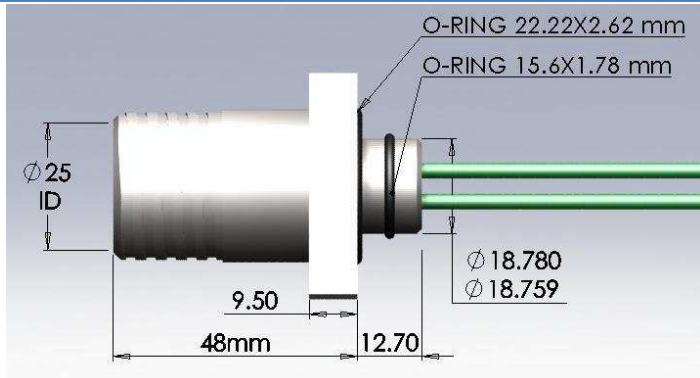
sales@birnsaquamate.com

Tel: 401-723-4242

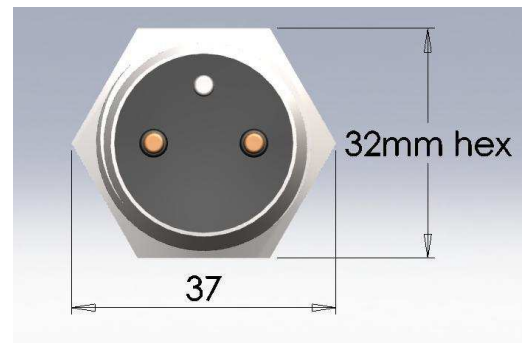
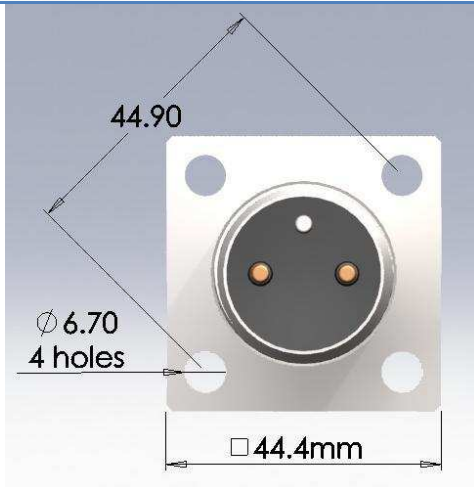
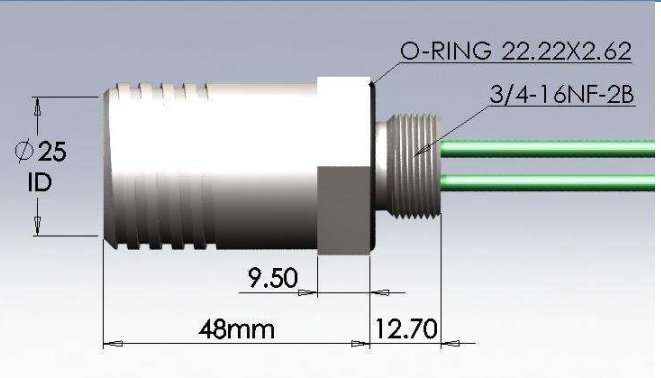
Fax: 401-723-4243

www.birnsaquamate.com

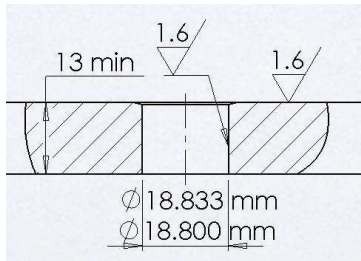
2000 FCR (flange)



2000 BCR (hex)



2000 FCR Socket



METAL SHELL 2000 SERIES Data Table

Number of contacts	2	3	4
Ordering number FCR Female	FCR2002F	FCR2003F	FCR2004F
Ordering number FCR Male	FCR2002M	FCR2003M	FCR2004M
Ordering number BCR Female	BCR2002F	BCR2003F	BCR2004F
Ordering number BCR Male	BCR2002M	BCR2003M	BCR2004M
Locking Sleeve Type:	LS-2000	LS-2000	LS-2000
Note:	Compatible with SC series 2-4		

Contact Information

BIRNS *Aquamate*™ LLC

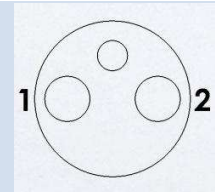
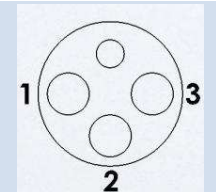
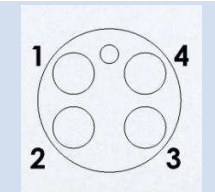
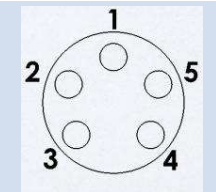
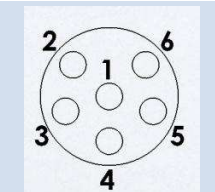
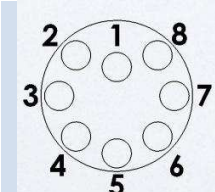
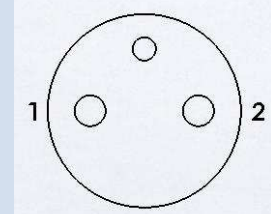
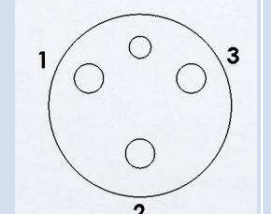
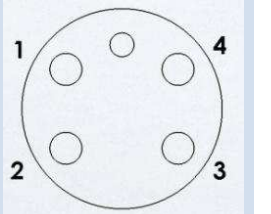
558 Mineral Spring Ave, Unit BF-112, Pawtucket, RI 02860

sales@birnsaquamate.com

Tel: 401-723-4242

Fax: 401-723-4243

www.birnsaquamate.com

Contact Layout – METAL SHELL						
Number of contacts	2	3	4	5	6	8
Contact layout 1500 series (Female)						
Number of contacts	2	3	4			
Contact layout 2000 series (Female)						

Specification - METAL SHELL			
Operational		Material	
Max Current	1500 series: 8A 2000 series: 12A	Molding	Low Carbon Neoprene
Max Voltage	1500 series: 300V 2000 series: 600V	Bulkhead	316 Stainless, Titanium
Insulation [megaohm]	1500 series: 200 2000 series: 250	Contacts	Gold plated per MIL-G 45204 Type II, Grade D, Class 00
Contacts	<0.01 ohm	Pin	Phosphor Bronze
Matings	>750	Sockets	Beryllium Copper
Temperature	-5C - +65C	Location Pin	316 Stainless
Depth	>600 bar	BH leads	1500 series: 30cm, AWG 20 Teflon, (0.6 mm ²) 19/32 stranding 2000 series: 30cm, AWG 18 Teflon, (0.97 mm ²) 19/30 stranding

Wire Color Code METAL SHELL						
Designated wire	Number of contacts on connector					
	2	3	4	5	6	8
Wire 1	Black	Black	Black	Black	Black	Black
Wire 2	White	White	White	White	Green	Green
Wire 3		Green	Red	Red	Brown	Brown
Wire 4			Green	Brown	Blue	Blue
Wire 5				Blue	Yellow	Yellow
Wire 6					Blue/Brown	Blue/Black
Wire 7						Yellow/Black
Wire 8						Green/Black

Contact Information

BIRNS *Aquamate*™ LLC

558 Mineral Spring Ave, Unit BF-112, Pawtucket, RI 02860

sales@birnsaquamate.com

Tel: 401-723-4242

Fax: 401-723-4243

www.birnsaquamate.com