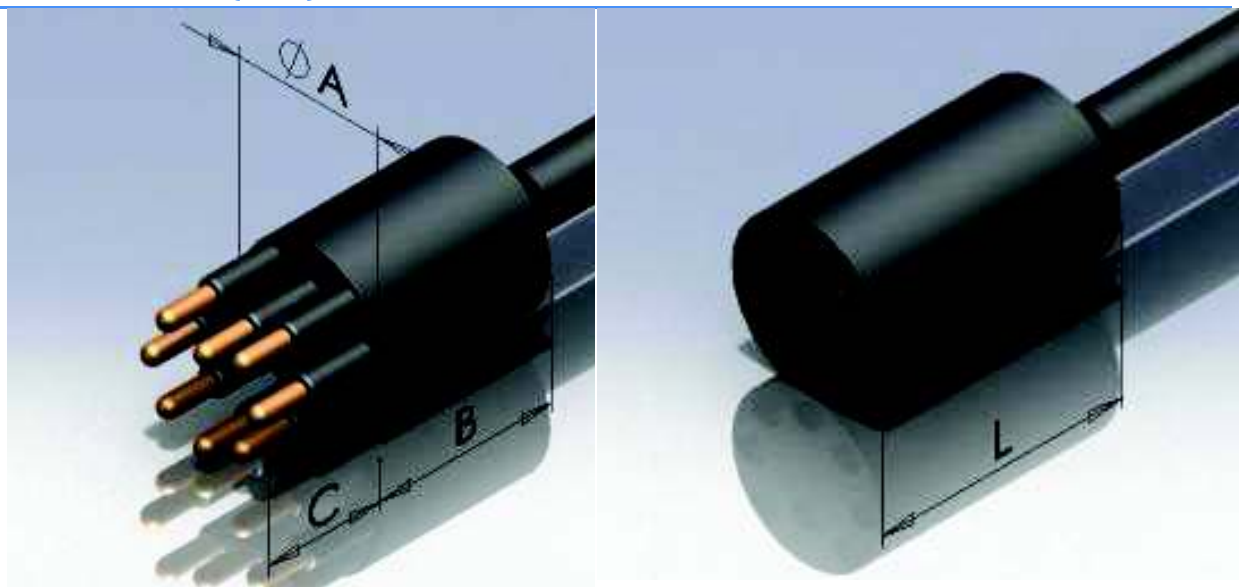


Mini Connector (MC)

Inline Connector (MCIL)



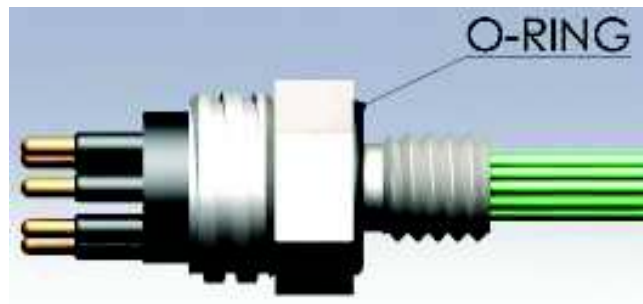
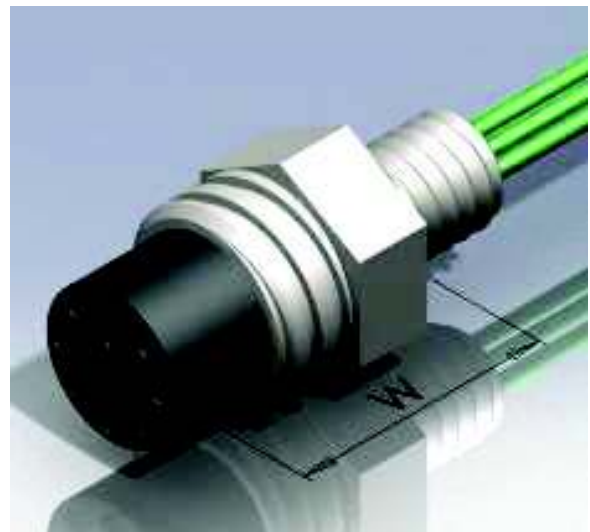
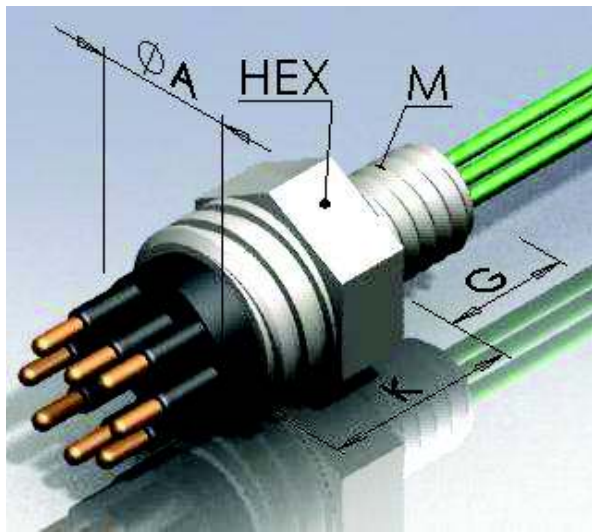
MCIL Data Table

Number of contacts	2	3	4	5	6	8	9	12	16
Dim. A [mm]	15.5	15.5	15.5	15.5	15.5	15.5	25.5	25.5	25.5
Dim. B [mm]	19	19	19	19	19	19	19	19	19
Dim. C [mm]	12.5	12.5	12.5	12.5	12.5	12.5	14	14	14
Dim. L [mm]	25	25	25	25	25	25	28.5	28.5	28.5
Locking Sleeve Type:	FLS-MC, MLS-MC	FLS-MC, MLS-MC	FLS-MC, MLS-MC	FLS-MC, MLS-MC	FLS-MC, MLS-MC	FLS-MC, MLS-MC	FLS-MCA, MLS-MCA	FLS-MCA, MLS-MCA	FLS-MCA, MLS-MCA
Cable OD [mm]	6	6.7	7	7.5	8	9.5	Contact manufacturer		
Cable current [A]	8	8	8	8	7	7	Contact manufacturer		
Ordering number for Male	MCIL2M	MCIL3M	MCIL4M	MCIL5M	MCIL6M	MCIL8M	MCIL9M	MCIL12M	MCIL16M
Ordering number for Female	MCIL2F	MCIL3F	MCIL4F	MCIL5F	MCIL6F	MCIL8F	MCIL9F	MCIL12F	MCIL16F
Note:							For sizes 9,10,12,16, see MCIL-SU for Subconn compatibility		

Contact Information

BIRNS Aquamate™ LLC
 122 Waltham St, Pawtucket, RI 02860
sales@birnsaquamate.com

Tel: 401-723-4242
 Fax: 401-753-6342
www.birnsaquamate.com



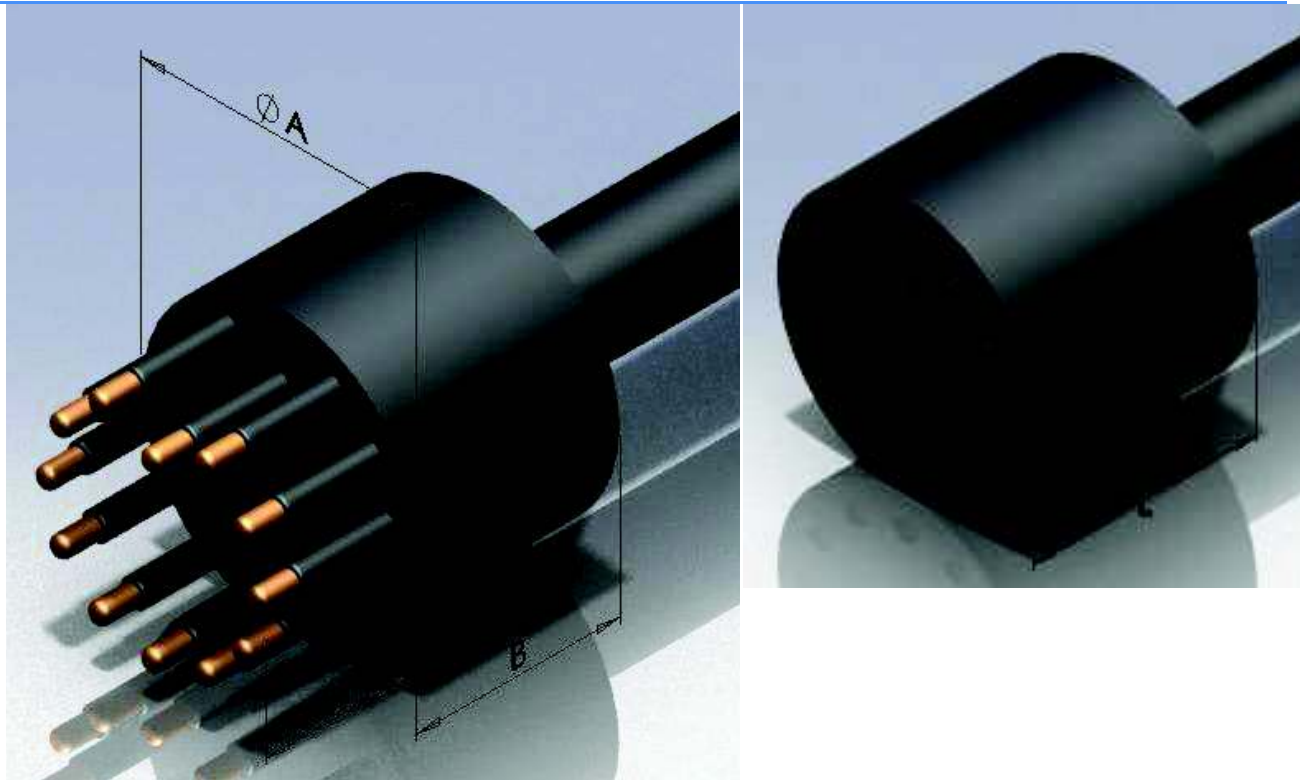
MCBH Data Table

Number of contacts	2	3	4	5	6	8	9	12	16
Dim. A [mm]	15.5	15.5	15.5	15.5	15.5	15.5	25.5	25.5	25.5
M[inch thread]	7/16-20 UNF	7/16-20 UNF	7/16-20 UNF	7/16-20 UNF	7/16-20 UNF	7/16-20 UNF	5/8-18 UNF	5/8-18 UNF	5/8-18 UNF
Dim. K [mm]	21.5	21.5	21.5	21.5	21.5	21.5	30	30	30
Dim. G [mm]	19	19	19	19	19	19	14 or 19	14 or 19	14 or 19
HEX [mm]	19	19	19	19	19	19	24	24	24
Dim. W [mm]	28	28	28	28	28	28	39	39	39
O-Ring [material: Nitrile]	2-014	2-014	2-014	2-014	2-014	2-014	2-014	2-014	2-014
Locking Sleeve Type:	FLS-MC, MLS-MC	FLS-MC, MLS-MC	FLS-MC, MLS-MC	FLS-MC, MLS-MC	FLS-MC, MLS-MC	FLS-MC, MLS-MC	FLS-MCA, MLS-MCA	FLS-MCA, MLS-MCA	FLS-MCA, MLS-MCA
Ordering number for Male	MCBH2M	MCBH3M	MCBH4M	MCBH5M	MCBH6M	MCBH8M	MCBH9M	MCBH12M	MCBH16M
Ordering number for Female	MCBH2F	MCBH3F	MCBH4F	MCBH5F	MCBH6F	MCBH8F	MCBH9F	MCBH12F	MCBH16F
Note:							For sizes 9,10,12,16, see MCIL-SU for Subconn compatibility		

Contact Information

BIRNS *Aquamate*™ LLC
 122 Waltham St, Pawtucket, RI 02860
sales@birnsaquamate.com

Tel: 401-723-4242
 Fax: 401-753-6342
www.birnsaquamate.com



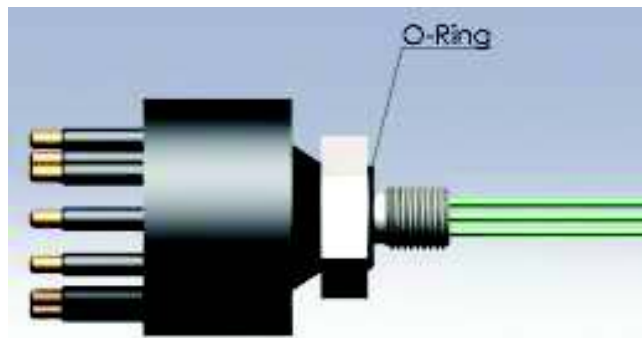
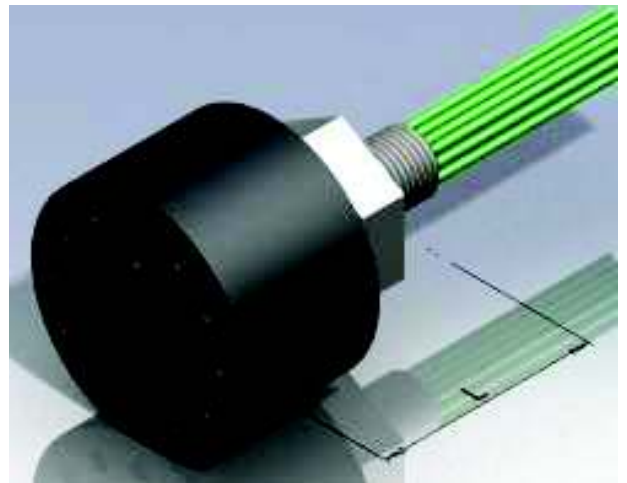
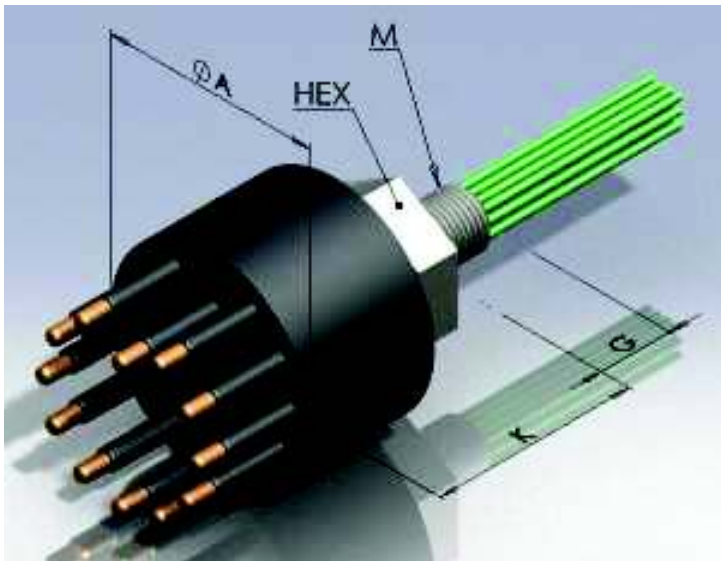
MCIL-SU Data Table				
Number of contacts	9	10	12	16
Dim. A [mm]	25	25	25	25
Dim. B [mm]	19	19	19	19
Dim. C [mm]	19.5	19.5	19.5	19.5
Dim. L [mm]	28	28	28	28
Locking Sleeve Type:	FLS-A MLS-A	FLS-A MLS-A	FLS-A MLS-A	FLS-A MLS-A
Cable OD [mm]	10	10.5	11	12
Cable current [A]	Contact manufacturer			
Ordering number for Male	MCIL9M-SU	MCIL10M-SU	MCIL12M-SU	MCIL16M-SU
Ordering number for Female	MCIL9F-SU	MCIL10F-SU	MCIL12F-SU	MCIL16F-SU

Contact Information

BIRNS Aquamate™ LLC
 122 Waltham St, Pawtucket, RI 02860
sales@birnsaquamate.com

Tel: 401-723-4242
 Fax: 401-753-6342
www.birnsaquamate.com

SU Bulk Head Connector (MCBH-SU)

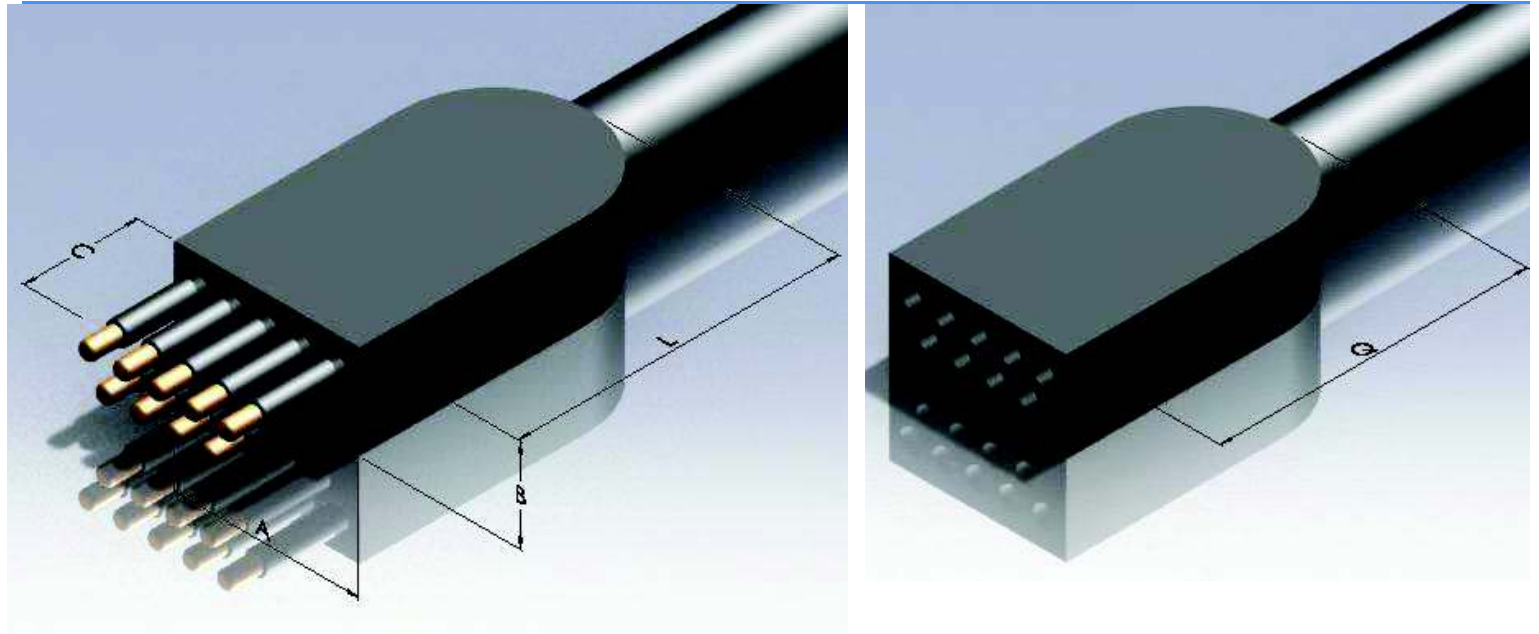


MCBH-SU Data Table				
Number of contacts	9	10	12	16
M[inch thread]	1/2-20 UNF	1/2-20 UNF	1/2-20 UNF	1/2-20 UNF
Dim. A [mm]	32	32	40.5	40.5
Dim. K [mm]	41	41	38.5	38.5
Dim. G [mm]	14 or 19	14 or 19	14 or 19	14 or 19
HEX [mm]	24	24	24	24
Dim. L [mm]	50	50	45	45
O-Ring [material: Nitrile]	2-017	2-017	2-017	2-017
Locking Sleeve Type:	FLS-A MLS-A	FLS-A MLS-A	FLS-A MLS-A	FLS-A MLS-A
Ordering number for Male	SCBH8M	SCBH10M	SCBH12M	SCBH16M
Ordering number for Female	SCBH8F	SCBH10F	SCBH12F	SCBH16F

Contact Information

BIRNS Aquamate™ LLC
 122 Waltham St, Pawtucket, RI 02860
sales@birnsaquamate.com

Tel: 401-723-4242
 Fax: 401-753-6342
www.birnsaquamate.com



MCLPIL Data Table

Number of contacts	7	9
Dim. A [mm]	25	25
Dim. B [mm]	14	14
Dim. C [mm]	12.5	12.5
Dim. L [mm]	36.5	36.5
Dim. Q [mm]	43	43
Cable OD [mm]	8.5	10
Cable current [A]	7	7
Ordering number for Male	MCLPIL7M	MCLPIL9M
Ordering number for Female	MCLPIL7F	MCLPIL9F

Contact Information

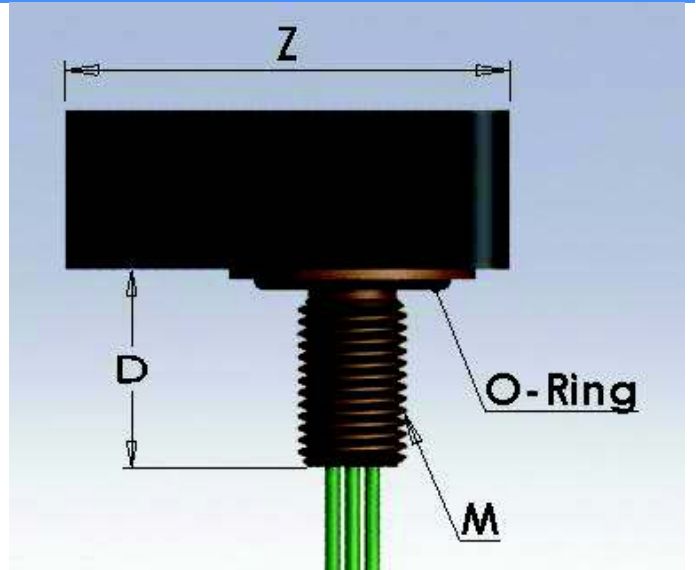
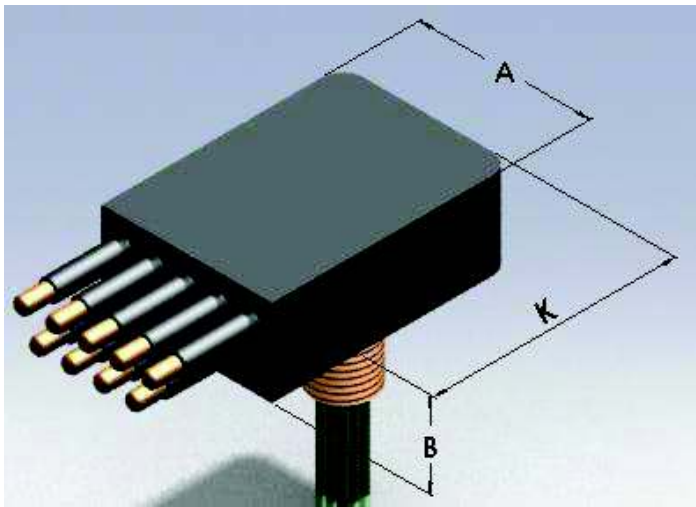
BIRNS Aquamate™ LLC

122 Waltham St, Pawtucket, RI 02860
sales@birnsaquamate.com

Tel: 401-723-4242

Fax: 401-753-6342

www.birnsaquamate.com



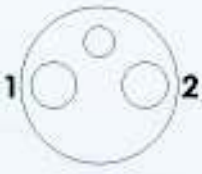
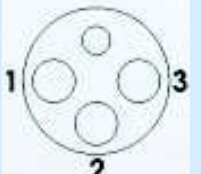
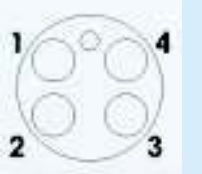
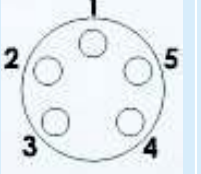
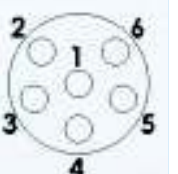
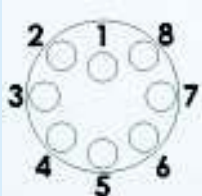
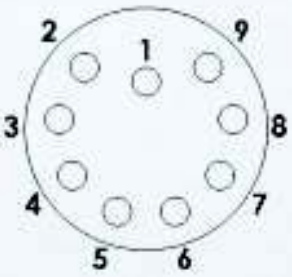
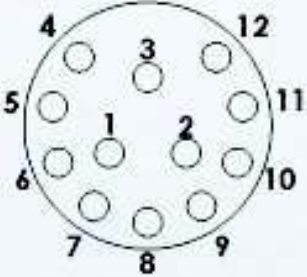
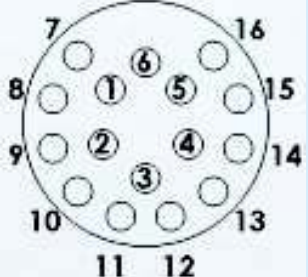
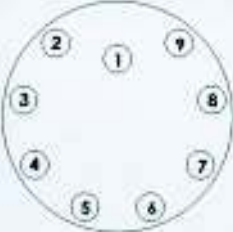
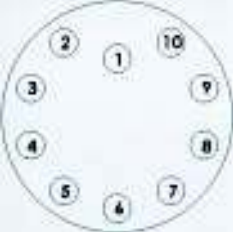
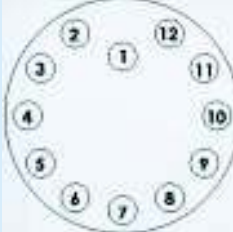

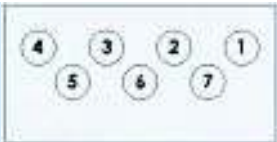

MCLPBH Data Table

Number of contacts	7	9
Dim. A [mm]	25	25
Dim. B [mm]	14	14
Dim. D [mm]	26	26
Dim. K [mm]	28	28
Dim. Z [mm]	34.5	34.5
M[inch thread]	7/16-20 UNF	7/16-20 UNF
O-Ring [material: Nitrile]	2-014	2-014
Ordering number for Male	MCLPBH7M	MCLPBH9M
Ordering number for Female	MCLPBH7F	MCLPBH9F

Contact Information

BIRNS *Aquamate*™ LLC
 122 Waltham St, Pawtucket, RI 02860
sales@birnsaquamate.com

Tel: 401-723-4242
 Fax: 401-753-6342
www.birnsaquamate.com

Contact Layout - MC					
Number of contacts	2	3	4	5	6
Contact layout (Female)					
Number of contacts	8	9	12	16	
Contact layout (Female)					
Contact Layout – MC-SU					
Number of contacts	9	10	12	16	
Contact layout (Female)					
Contact Layout – MCLP					
Number of contacts	7	9			
Contact layout (Female)					

Contact Information

BIRNS Aquamate™ LLC
 122 Waltham St, Pawtucket, RI 02860
sales@birnsaquamate.com

Tel: 401-723-4242
 Fax: 401-753-6342
www.birnsaquamate.com

Specification MC			
Operational		Material	
Max Current	2-4 contacts: 10A 5-16 contacts: 8A	Molding	Low Carbon Neoprene
Max Voltage	300V	Bulkhead	Brass, 316 Stainless, Titanium
Insulation	>200megaohm	Contacts	Gold plated per MIL-G 45204 Type II, Grade D, Class 00
Contacts	<0.01 ohm	Pin	Phosphor Bronze
Matings	>750	Sockets	Beryllium Copper
Temperature	-5C - +65C	Location Pin	316 Stainless
Depth	>600 bar	In-line cable	2-4 contacts: 60cm, AWG 18 (0.82 mm ²) 16/30 stranding 5-16 contacts: 60cm AWG20 (0.5 mm ²) 26/34 stranding
		BH leads	2-4 contacts: 30cm, AWG 18 Teflon, (0.97 mm ²) 19/30 stranding 5-16 contacts: 30cm, AWG20 Teflon (0.6 mm ²) 19/32 stranding

Contact Information

BIRNS *Aquamate*[™] LLC
 122 Waltham St, Pawtucket, RI 02860
sales@birnsaquamate.com

Tel: 401-723-4242
 Fax: 401-753-6342
www.birnsaquamate.com

Wire color code - MCLP		
Designated wire	Number of contacts on connector	
	7	9
Wire 1	Black	Black
Wire 2	White	White
Wire 3	Red	Red
Wire 4	Green	Green
Wire 5	Blue	Orange
Wire 6	Brown	Blue
Wire 7	Yellow	White/Black
Wire 8		Red/Black
Wire 9		Green/Black

Wire color code - MCIL									
Designated wire	Number of contacts on connector								
	2	3	4	5	6	8	9	12	16
Wire 1	Black	Black	Black	Black	Black	Black	Contact manufacturer		
Wire 2	White	White	White	White	Green	Green			
Wire 3		Green	Red	Red	Brown	Brown			
Wire 4			Green	Brown	Blue	Blue			
Wire 5				Blue	Yellow	Yellow			
Wire 6					Blue/Brown	Green/Black			
Wire 7						Yellow/Black			
Wire 8						Blue/Black			
Wire 9	Contact manufacturer								
Wire 10									
Wire 11									
Wire 12									
Wire 13									
Wire 14									
Wire 15									
Wire 16									

Contact Information

BIRNS *Aquamate*[™] LLC
 122 Waltham St, Pawtucket, RI 02860
sales@birnsaquamate.com

Tel: 401-723-4242
 Fax: 401-753-6342
www.birnsaquamate.com