

LED-K-SERIES

Underwater LED Light



underwater **vision** specialists

Features

- 2,100 or 3,200 Lumens
- 24Vdc
- 80° Wide Beam Angle of Light
- 3,000 Metre Operating Depth



Description

The Bowtech Products LED-K-SERIES lights are available with either 2,100 or 3,200 lumens output and various colour temperature options.

Due to Bowtech Products' continued history of innovation, these lights feature the latest and best underwater LED lighting technology available.

Rated to operate at 3,000 metres ocean depth, the lamps are manufactured with aluminium housing, with options for titanium or stainless steel, which is anodised offering proven, corrosion resistance.

The 80° diagonal wide beam angle light produced, is ideal for colour video inspection of viewing tasks.

Black light and leak detection system options are available.

Benefits of LED Lighting

No Fragile Filaments

Rugged Construction

Highly Shock and
Vibration Resistant

Average Lifetime
Greater than 50,000 hours

Enormous "In-service"
Cost Saving Over Incandescent Bulbs

Available in Various Colour Temperatures



© Bowtech Products Ltd 2012 All rights reserved.
Bowtech Products Ltd reserves the right to change the
above specifications without notice.

T +44 1224 772345
F +44 1224 772900

sales@bowtech.co.uk
www.bowtech.co.uk

Last updated 5th June 2013
Revision: 0

Specification – LED-K-SERIES

ELECTRICAL

Input Power Requirement: 24Vdc, 1,000mA (2,100 lumen model), 1,600mA (3,200 lumen model)

OPTICAL

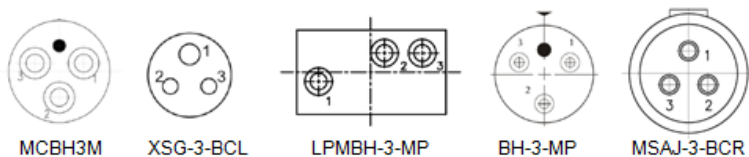
Window/Lens: Acrylic
 Typical Luminous Flux: 2,100 or 3,200 Lumens
 Typical Illuminance @ 1m: 820 lx (2,100 lumen model), 1,365 lx (3,200 lumen model)
 Dimming: 0-5Vdc, 0-10Vdc, Bipolar, RS-485
 Typical Colour Temperature: 6,600 Kelvin (options available)
 Lumen Maintenance (70%): 50,000 hrs

ENVIRONMENTAL

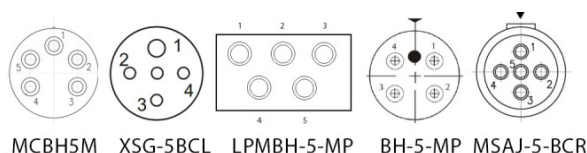
Operating Depth: 3,000m (9842ft)
 Storage Temperature: -30 to +70°C
 Operating Temperature: -10 to +40°C
 Housing Material: Hard Anodized 6082-T6 Aluminium
 Optional Housing Materials: Titanium, Stainless Steel

MECHANICAL

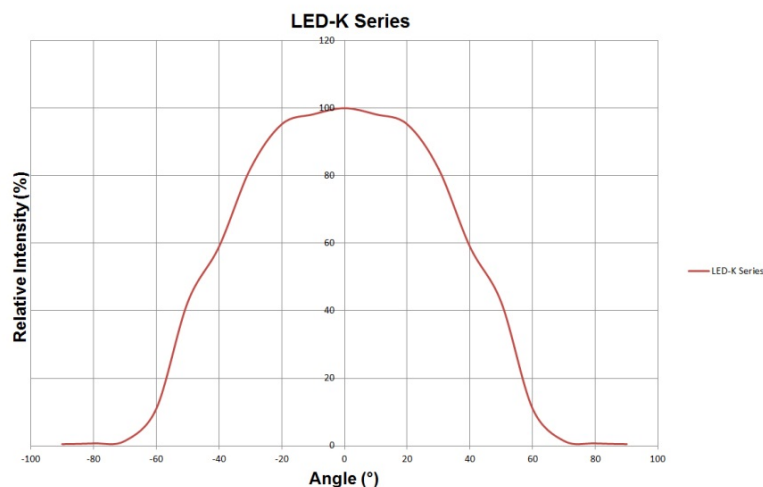
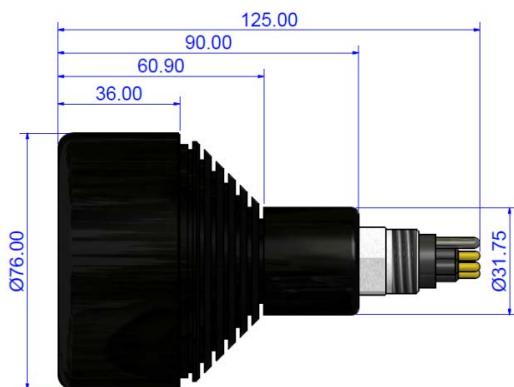
Models: LED-K-2100, LED-K-3200
 Length: 89mm (3.5in) Excluding Connector
 Diameter: 76.0mm (3in) Front-end, 31.75mm (1.25in) Body
 Weights in Air: Aluminium 0.460kg (1.01lbs), Titanium 0.670kg (1.48lbs), Stainless Steel 1.080kg (2.38lbs)
 Weights in Water: Aluminium 0.240kg (0.53lbs), Titanium 0.450kg (0.99lbs), Stainless Steel 0.860kg (1.9lbs)
 Thermostat Cut-off: Thermal Limiting Circuit
 Typical Beam Angle: 80° to 50% Power Points
 Standard Connector: MCBH3M
 Optional Connectors: A Wide Range of Connectors



For use with RS-485 control option:



(connector face patterns not to scale)



© Bowtech Products Ltd 2012 All rights reserved.
 Bowtech Products Ltd reserves the right to change the above specifications without notice.

T +44 1224 772345
 F +44 1224 772900

sales@bowtech.co.uk
www.bowtech.co.uk

Last updated 5th June 2013
 Revision: 0