

**Bring the sea into your
training pool !**





History



Since 1983 WOW Company offers services in mechanics, electronics and informatics to the industry.

WOW has developed many tools in various domains as aeronautics, medical or biochemistry.

Several years were necessary for developing a complete product range of wave devices, compliant with industrial quality standards and approved by most internatio-

nal safety certification bodies, including **UTE** in France and **TÜV** in Germany.

The technology has been patented throughout the world and commercial activity started in 1992.

Today, more than 300 Wave Balls are making waves in more than 20 countries around the world and in different areas like aquatic parks, private pools and for sure RESCUE training centers.

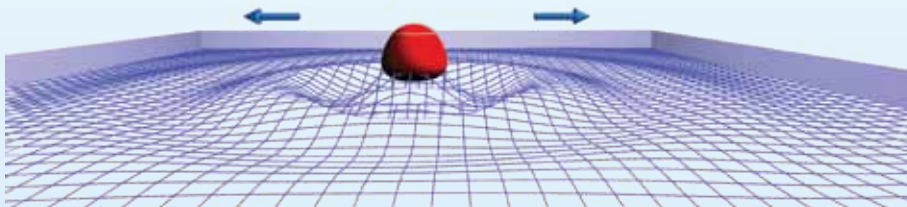
Working principle

The WOW Wave Balls base their working on **resonance**.

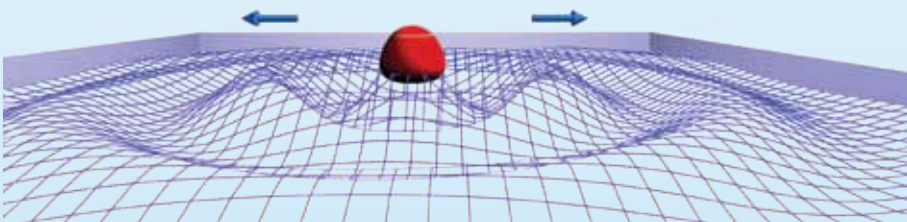
The WOW generators create a first wave on water which is **spread** in the pool. Once **reflected** by the walls (freeboards), the wave comes back to the generator. The computer management system controls permanently the required power to amplify (or decrease) the waves produced

Their optimal working is managed by a set of computer tools developed by WOW. These tools allow a real-time adaptation of the environment changes keeping in every case the control of the situation.

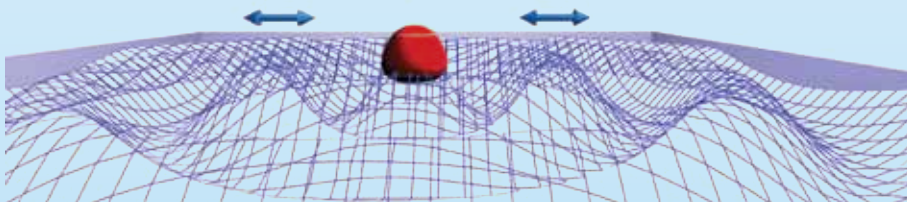
The majority of « classical » waves generators (pistons, water tanks or fans) consume a lot of energy. Moreover, they create a wave which is lifted and definitely lost after being injected into the pool. In opposite, **WOW generators** use **intelligently** all energy of the stretch of water for an impressive result! Their working mode based on the resonance is managed by a computer software which take the pool configuration and environment changes into account, as for example the fluctuations in the number of swimmers.



Small waves are created by the ball.



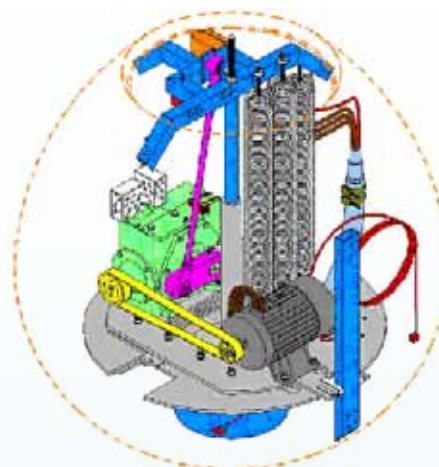
They spread towards the pool walls and are then reflected.



The waves are amplified by each movement of the ball.

The Wave Ball is a **revolutionary waves generator**. It is a sphere floating on the water, and full of intelligent electronics and mechanics. Finely tuned by the on board electronic components, the Wave Ball automatically adapts its up and down movements to achieve economical and powerful wave generation, based on resonance principle.

Although it looks very simple, the Wave Ball is definitely a very sophisticated product, the development of which has required an efficient R&D staff with various domains of knowledge, including fluid physics, mathematical modeling, mechanics, electronics and data processing.



Product range

5 models of Wave Balls are available (W105, W130, W150, W165 et W180) depending on the size and characteristics of the pool.

Each model is declined into two versions, F or FL



SURFACE AREA of the pool (m ²)	35 - 110	40 - 140	50 - 200	60 - 240	70 - 350	80 - 400	100-500	100-600	130-800
WAVEBALL MODEL	W105FL	W105F	W130FL	W130F	W150FL	W150F	W165FL	W165F	W180F
Weight (kg)	180	210	330	420	500	580	780	800	1080
Diameter (cm)	105	105	130	130	150	150	168	168	180
Maximum Power (kW)	0.5	0.7	0.9	1.5	1.7	1.9	2.5	3.0	4.5
Highest waves in optimum conditions (cm)	120	140	150	160	170	180	190	210	230
Minimum necessary depth under the ball (cm)	110	140	125	150	140	160	150	170	180
Power Supply: Singleph. (S)/ Triph. (T)	S	S	S	T	T	T	T	T	T

Applications for the Rescue area

The sea rescue training requires, by definition, the perfect reproduction of the open sea conditions.

For perfect efficiency in harsh conditions, you need to practice in real conditions. The waves produced by the Wave Ball can be adjusted from small ripples to heavy swell. Only the Wave Ball can generate real conventional off-shore waves in your own pool.

By adding the adequate natural phenomena generators, that can be combined and controlled, it is possible to reproduce most of the natural sea environments and train in varied conditions, from the easiest to the most difficult, to gradually learn the reflexes that will save lives.

Conditioned reflexes instinctively reappear in case of distress situation and are therefore determinant. The gestures become reflexes only when you learn them successfully in a stressing situation. That's the reason why training in a realistic environment is so important!

The resulting waves look like open-sea waves and can reach up to 2 meters from crest to trough.





References

YEAR	LOCATION	COMPANY
1992	Pavia, Italy	
1999	Megamass, Brunei	
2001	Mariehamn, Finland	
2002	Am pang, Malaysia	
2003	Namur, Belgium	
2003	Tesside, UK	
2003	Abu Dhabi, Emirates	
2005	Halifax, Canada	
2005	Bergen, Norway	
2006	La rota, Spain	
2009	Hong Kong, China	
2010	Illinka, Russia	
2010	Doha, Qatar	





YEAR	LOCATION	COMPANY
2010	Rumia, Poland	OSNiP WP 
2010	Port Harcourt, Nigeria	
2010	Dyce, UK	
2011	Vestfold, Norway	
2011	Bremerhaven, Denmark	
2011	USCG, USA	
2011	Singapor	
2011	Campbell Barracks, Australia	
2011	St John's Newfoundland, CA	











ЛУКОЙЛ - ВСЕГДА В ДВИЖЕНИИ!



Advantages

The Wave ball :

- Is adapted for all shapes and specifications of pools.
- Is a **low consumption** machine with an average of **2,5KW**.
- Can be used for different pools and so replaced somewhere else (interchangeable).
- No safety zone has to be placed in the pool.
- Can be placed in an existing pool without modifications.
- Does not need a technical room, no external structure is needed and installation is done in one day.
- The maintenance is very easy and inexpensive.
- Can be used without interruption with 4 different intensities on demand.
- Its easy installation will enable you to start your training courses immediately after receipt of the **Wave Ball**.

Added to wind, rain, fog, stream generators, as well as light and sound effects, you will recreate the environment you need for an **optimal training**.

Equipped like this, your training pool will offer a **high level of safety** and a perfect mastering of the training environment.

Thanks to the Wave Ball, you will have a perfect tool for your Rescue training sessions keeping the control of the situation in a safe and configurable environment.





For further information please contact :

Paolo DANUBIO

Export Manager

☎ +32 81 71 97 79

info@waves4training.com

www.waves4training.com

waves4training by WOW Company S.A.

18 rue Pieds d'Alouette

5100 NANINNE – BELGIUM

☎ +32 81 40 19 66

☎ +32 81 40 24 44

www.wowcompany.com

