



RADIATION TOLERANT CAMERA

SC985™

Color Camera Outstation

For Inspection and Surveillance of Nuclear Containment Areas and Processes



FEATURES

- Radiation tolerant to 10 kGy (1 Mrad)
- Maximum dose rate: 1 kGy/h (100 k rad per hour)
- High quality color images with resolution of 450TV Lines
- 10:1 Non-browning clear glass optical zoom lens
- 1 MGy radiation tolerant pan and tilt unit
- Option of high intensity LED lighting
- Stainless steel construction
- Uses same radiation tolerant cable as R981™ Camera
- In air or underwater

DESCRIPTION

The SC985 Color Camera Outstation from Mirion Technologies has been developed to provide a color image for mid-radiation applications in the nuclear industry.

She combines high quality images with a robust pan/tilt/zoom platform for inspection and surveillance applications either underwater or in air. The option of on-board LED lights provides additional scene illumination when required.

The radiation tolerance of 10 kGy (1 Mrad) is achieved by utilizing Mirion's Dotcam HR technology, combined with a recent non-browning zoom lens and tungsten shielding. With an easy-to-replace sensor and other parts radiation tolerant to 1 MGy (100 Mrad), the outstation delivers a low cost of ownership.

The integrated pan and tilt unit provides full movement and all external surfaces are finished in stainless steel to allow for easy decontamination.

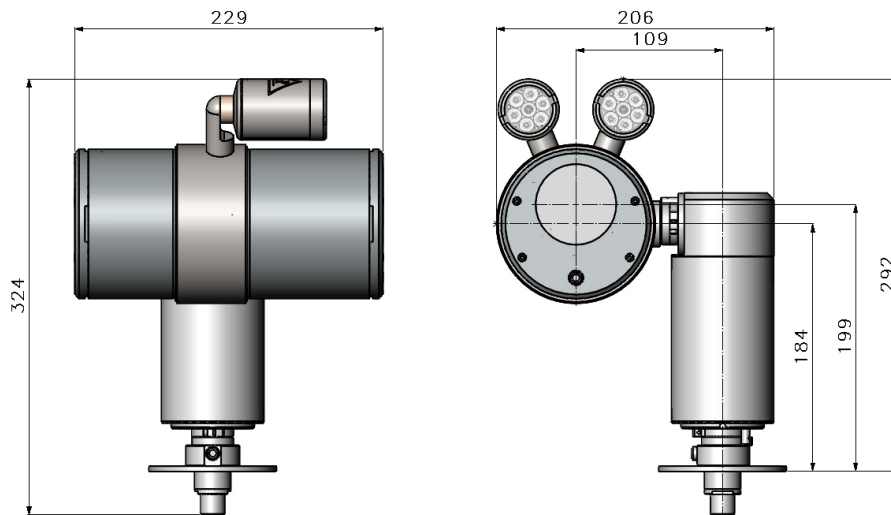


SPECIFICATIONS AND PERFORMANCE

Radiation Tolerance	10 kGy (1 Mrad) [¹³⁷ Cs]
Radiation Dose Rate	1 kGy/h (100 k rad/h)
Resolution	450 TV Lines horizontal PAL 400 TV Lines, NTSC
Video Output	1 V p-p
Housing	Stainless steel
Sealing	IP68
Depth Rating	60 m
Operating Temperatures	0-55 °C
Pan and Tilt Range	±180°
Pan and Tilt Speed	6 °/s
Iris	Electronic and manual
Focus	Manual
Focus Range	1.2 to infinity

Zoom	Non-browning clear glass 6.5-65 mm
Zoom Range	10 x optical
Angle of View (horizontal)	40° (wide), 4° (narrow)
Minimum Scene Illumination	10 lux (scene)
LED Beam Angle	390
Weight	10 kg
Cable	R981
Maximum Cable Length	100 m with R980CAB006, 300 m with R980CAB013
Camera Control Unit	Single camera control unit or multi-camera sub rack available for interfacing into analogue or IP-based control system

DIMENSIONS (MM)



SPC-141-EN-A_DMD-08/2021

Copyright © 2021 Mirion Technologies, Inc. or its affiliates. All rights reserved. Mirion, the Mirion logo, and other trade names of Mirion products listed herein are registered trademarks or trademarks of Mirion Technologies, Inc. or its affiliates in the United States and other countries. Third party trademarks mentioned are the property of their respective owners.

Specifications may vary according to system configuration. We reserve the right to modify or amend the information herein without prior warning. Please contact your Mirion representative for further information.

Mirion Technologies (IST) Ltd and Mirion Technologies (Imaging), LLC are ISO 9001:2015 certified companies (certificates available on request or at www.mirion.com).

Please note that the products and accessories described in this data sheet may be subject to UK export control or US re-export control. Please check with your authorized representative when enquiring about this product.

